

DALI DSI

Datasheet

Interface

Signal converter for integrating ballasts with DSI-input in DALI-systems

Art. Nr. 24034689

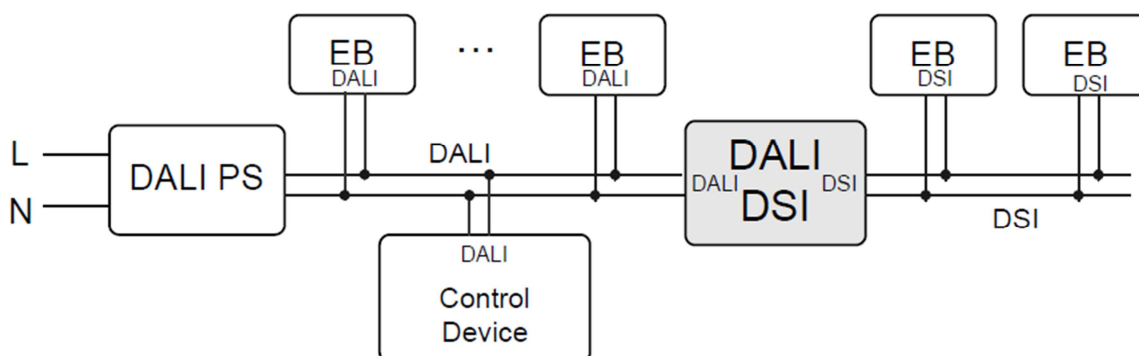
DALI DSI Interface Modul

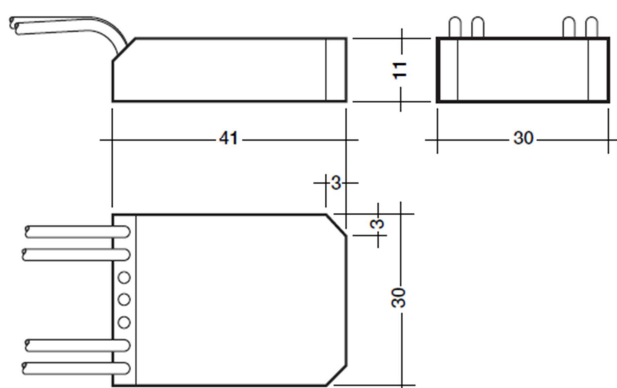
Overview

- Compact converter
- Conversion of DALI-commands in DSI commands
- integration of up to 5 DSI-based ballasts (e.g.: Tridonic PCA ECO) in DALI systems
- 1 DALI address, the device can be assigned to groups and scenes
- simple configuration with DALI-Cockpit software
- the modul is powered directly by the DALI-line, no additional supply required
- suitable for back box mounting

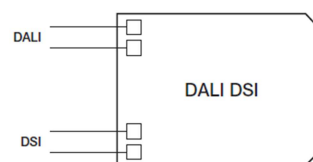
Specification, Characteristics

type	DALI DSI
article number	24034689
electrical data:	
supply	via DALI-line
typ. current consumption DALI	16 mA
number of DALI addresses	1
output	DSI
max. number of DSI devices	5
technical data:	
storing and transportation temperature	-20°C ... +75°C
operating ambient temperature	-20°C ... +75°C
protection class	IP20
connecting wires	250mm / 0.75 mm ²
mounting	back box
dimensions	41mm x 30mm x 11mm





dimensions DALI DSI



connection plan DALI DSI

Purchase Order Information

Art.Nr. 24034689: DALI DSI, conversion of DALI-commands to DSI-commands, max. 5 DSI ballasts

Additional Information and Equipment

DALI-Cockpit – free configuration tool from Lunatone for DALI systems
<http://lunatone.at/en/downloads/Lunatone-DALI-Cockpit.zip>

Lunatone DALI products
<http://www.lunatone.at/en/>

Lunatone datasheets and manuals
<http://lunatone.at/en/downloads/>

Contact

Technical Support: support@lunatone.com

Requests: sales@lunatone.com

www.lunatone.com

Disclaimer

Subject to change. Information provided without guarantee.
 The datasheet refers to the current delivery.

The compatibility with other devices must be tested in advance to the installation.