



## DALI RTC Timer

**Datasheet**

**Control Device**

DALI Real Time Clock with Scheduler

Art. Nr. 86459531

# DALI RTC Timer Control Device

## Overview

- DALI Real Time Clock
- The time can be set and read out via the DALI-line
- Scheduler Function – up to 14 entries
- For each scheduler job weekday mask, time stamp and a DALI command can be defined
- Easy schedule configuration via DALI Cockpit software tool and DALI USB interface
- The DALI RTC module must not be connected to the mains. It is supplied directly via the DALI signal line.
- Battery inside, as factory default the clock is set to local time (GMT+1)
- Simple installation due to DALI double-clamp connector

## Specification, Characteristics

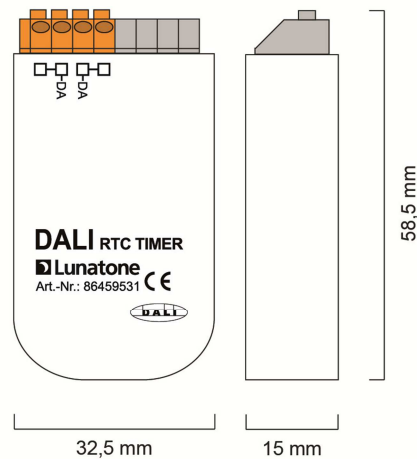
Type	DALI RTC Timer
article number	86459531
power supply	via DALI signal line
typ. current consumption	5 mA
input/output	DALI
RTC	quarz based
scheduler	up to 14 programmable entries
operating temperature	0°C-50°C
Storage temperature	-20°C-70°C
protection class	IP20
geometry	59mm x 33mm x 15mm
connecting wire cross section	0.5-1.5 mm <sup>2</sup>

### Scheduler:

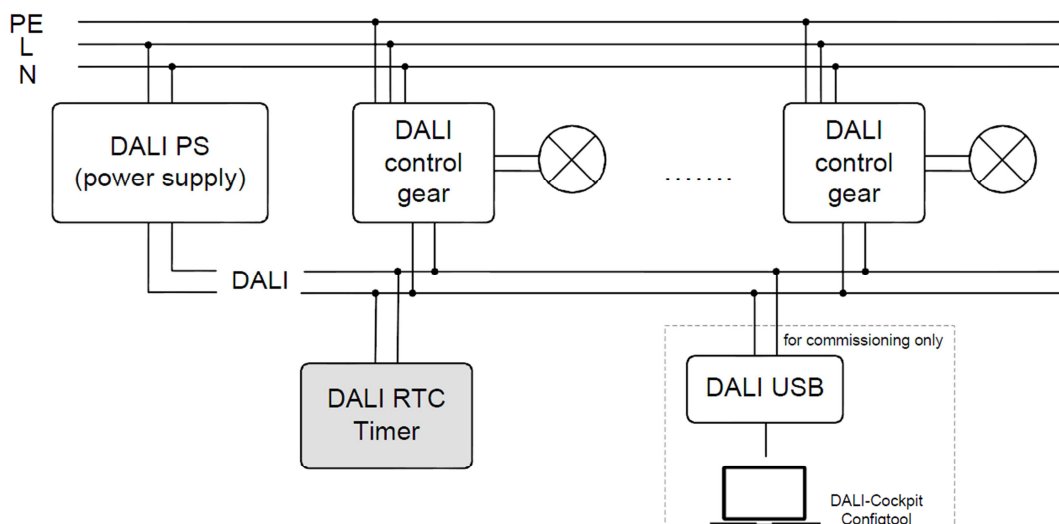
- 14 entries

An job consists of:

- status (enabled/disabled)
- 24h time stamp
- activation mask for each day of a week
- 1 DALI address
- 1 DALI command



geometry



typical application

## Installation

The DALI RTC Timer is connected to the DALI-line. It is powered like all DALI modules directly by a DALI PS via the DALI signal line. A typical value of the DALI RTC current consumption is 5 mA.

The connection to the DALI-line is polarity free and protected against overvoltage of up to 270Vac.

The compact DALI RTC Timer can easily be installed in back boxes.

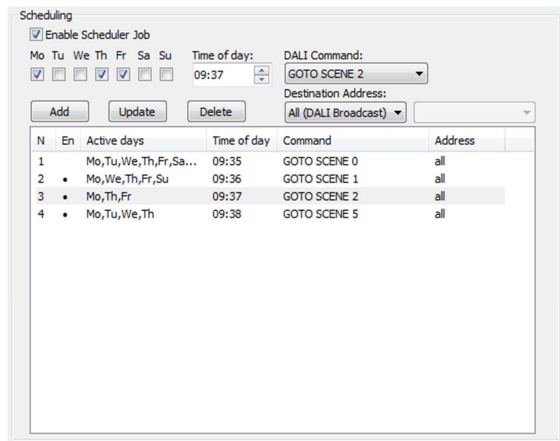
## Addressing and Configuration

Via a DALI-USB interface the DALI-Cockpit software tool can communicate with the DALI RTC Timer. The DALI-Cockpit software is a free configuration tool for DALI systems. Hence standard DALI ballasts can be addressed and configured as well as the DALI RTC Timer.

Once detected by the DALI Cockpit the time can be set and the schedule entries can be configured.

In the scheduler up to 14 scheduler jobs can be defined. Each entry consists of status, a

weekday mask, a time and finally DALI-command and DALI address.



N	En	Active days	Time of day	Command	Address
1		Mo,Tu,We,Th,Fr,Sa...	09:35	GOTO SCENE 0	all
2	•	Mo,We,Th,Fr,Su	09:36	GOTO SCENE 1	all
3	•	Mo,Th,Fr	09:37	GOTO SCENE 2	all
4	•	Mo,Tu,We,Th	09:38	GOTO SCENE 5	all

The DALI-Cockpit and DALI-USB Interface are only required for configuration and can be removed after setup (see typical installation drawing).

## Function

The DALI RTC timer sends out DALI commands to the DALI-line based on the entries defined in the scheduler. Furthermore date and time can be read out using QUERY SCENE commands:

QUERY SCENE 0 LEVEL: seconds

QUERY SCENE 1 LEVEL: minutes

QUERY SCENE 2 LEVEL: hours

QUERY SCENE 3 LEVEL: day of month

QUERY SCENE 4 LEVEL: month

QUERY SCENE 5 LEVEL: year-2000

## Purchase Order Information

ArtNr. 86459531: DALI RTC Timer, DALI Real Time Clock with Scheduler Function

## Additional Information and Equipment

DALI-Cockpit – free configuration tool from Lunatone for DALI systems

<http://lunatone.at/en/downloads/Lunatone-DALI-Cockpit.zip>

Lunatone DALI products

<http://www.lunatone.at/en/>

Lunatone datasheets and manuals

<http://lunatone.at/en/downloads/>

## Contact

Technical Support: [support@lunatone.com](mailto:support@lunatone.com)

Requests: [sales@lunatone.com](mailto:sales@lunatone.com)

[www.lunatone.com](http://www.lunatone.com)



## Disclaimer

Subject to change. Information provided without guarantee. The datasheet refers to the current delivery.

The function in installations with other devices must be tested for compatibility in advance