

DALI Jalousie

Datasheet

Interface



DALI module to control
jalousie modules with 230V ~
control inputs for Up and Down

Art. 86458676-DE (remote ceiling)

Art. 86458676-HS (Din Rail)

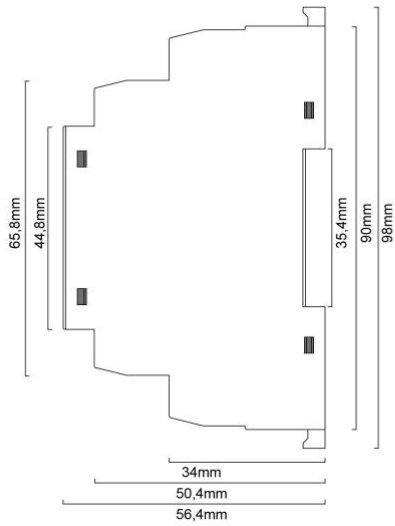
DAI Jalousie Interface

Overview

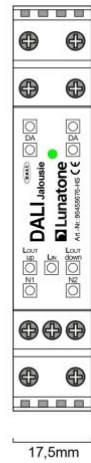
- Suitable for the control of jalousie modules with separate 230V input for Up and Down via DALI
- interlocked outputs
- for currents of up to 4A
- the module is controlled by the DALI-commands RECALL MAX or UP for Up and RECALL MIN or DOWN for Down, the state holds until an OFF is received
- The module is supplied directly via the DALI line, no additional supply required
- The interface has a DALI address and can be added to groups, there are 4 programmable profiles for adjusting the tilt angle and to open or close the blinds.
- Connect a Somfy Soliris wind, sun and rainsensor with the help of a DALI Soliris module

Specification, Characteristics

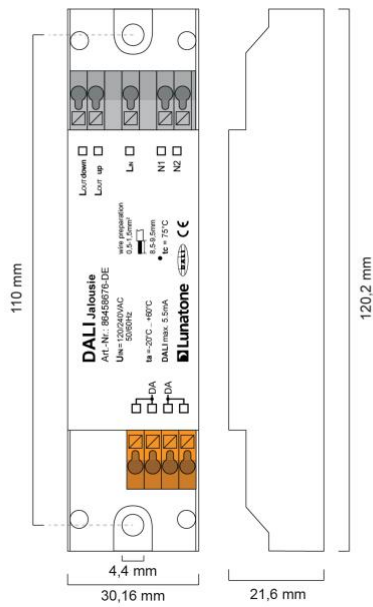
| Type | DAI Jalousie | |
|--|------------------------------------|--------------------------|
| article number | 86458676-HS | 86458676-DE |
| electrical data: | | |
| power supply | via DALI-line | |
| typ. current consumption | 5.5 mA | |
| control input | DALI | |
| Input (voltage and frequency) | 120/240VAC 50/60Hz | |
| output | 120/240V (Up or Down, interlocked) | |
| relay contact switching voltage | 250Vac | |
| nominal load and current | 1000VA / 4A | |
| operating cycles with 4A/250Vac, resistive | 10 ⁵ | |
| max. switching frequency relay | 0.2 Hz | |
| technical data: | | |
| storing/transportation temperature | -20°C ... +75°C | |
| operational ambient temperature | -20°C ... +60°C | |
| protection class | IP20 | |
| connecting wire cross section | max. 2,5 mm ² | max. 1.5 mm ² |
| housing | din rail | remote ceiling |
| dimensions | 98mm x 17.5mm x 56mm | 120mm x 30mm x 21mm |



geometry Din Rail type



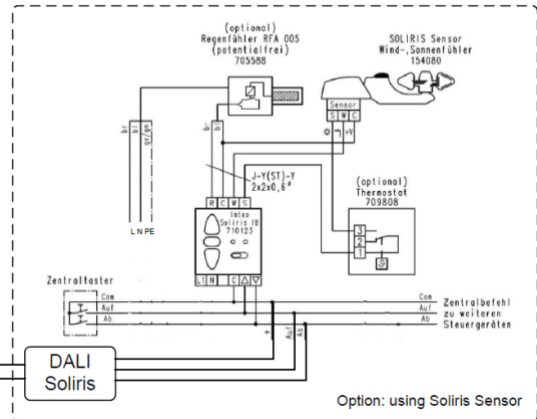
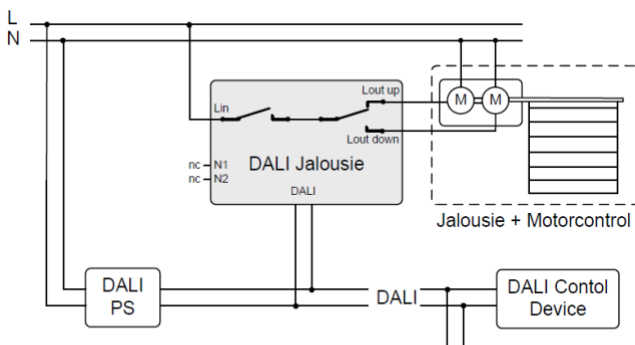
connection Din Rail type



geometry Remote Ceiling type



connection Remote Ceiling type



typical application

Installation

The module is connected to the DALI-signal line, no additional power supply is required. A typical value for the current consumption of the DALI Jalousie module is about 5.5 mA. The connection to the DALI-terminals is polarity free.

The module is designed for a continuous load of 1000VA.

Do not connect N1 and N2.

The terminals fit wires with a cross section of 2,5mm².

Function

The DALI Jalousie can be addressed and controlled by the assigned DALI address. It converts DALI commands in up/down commands to the blind motor control. The 230V motor control signals (for up and down) are interlocked, that means that at any time only one of those signals is applied to the blind motor.

Reaction of the module to DALI-commands:

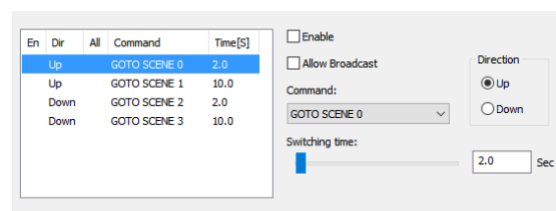
| DALI-command | Jalousie control signal |
|--------------|--|
| RECALL MAX | UP: Loutup 230V / Loutdown 0V |
| RECALL MIN | DOWN: Loutup 0V / Loutdown 230V |
| OFF | OFF: : Loutup 0V / Loutdown 0V |
| UP | UP: Loutup 230V / Loutdown 0V |
| DOWN | DOWN: Loutup 0V / Loutdown 230V |
| GOTO SCENE X | 4 scene commands can be used for the recall of custom profiles (direction and duration can be configured for each profile) |

For a customized adjustment of the module to the used jalousie 4 freely programmable profiles are available. They can be configured with the help of the DALI-Cockpit software tool.

For each profile the direction (UP or DOWN) can be as well configured as the duration how

long this state should be applied. With the help of these profiles typically the tilt angle (min/max) and a complete Up and Down movement can be preconfigured.

For the recall of these profiles scene commands are used:



The DALI Jalousie interface does not react to broadcast commands in factory default state. However for the recall of profiles this restriction can be cancelled.

Purchase Information

Art.Nr. 86458676-HS DALI Jalousie, din rail
Art.Nr. 86458676-DE DALI Jalousie, remote ceiling

Additional Information and Equipment

DALI-Cockpit – free configuration tool from Lunatone for DALI systems

<http://lunatone.at/en/downloads/Lunatone-DALI-Cockpit.zip>

Lunatone DALI products

<http://www.lunatone.at/en/>

Lunatone datasheets and manuals

<http://lunatone.at/en/downloads/>

Contact

Technical Support: support@lunatone.com

Requests: sales@lunatone.com

www.lunatone.com



Disclaimer

Subject to change. Information provided without guarantee.
The datasheet refers to the current delivery.

The compatibility with other devices must be tested in advance
to the installation.