

## DALI SI

### Datasheet Sensor Interface



DALI module for the integration of  
sensors with relay output in DALI  
systems

Art. Nr. 89453850  
Art. Nr. 89453850-1L

# DALI SI Sensor Interface

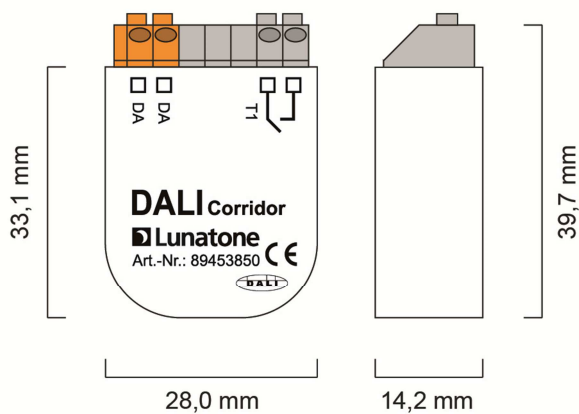
## Overview

- Module with switching input
- Easy integration of occupancy and movement sensors, contact switches, photoelectric barrier sensors etc.
- same behaviour as DALI CS
- types with input for potential free contact and input for mains voltage available
- multiple trigger sources due to simple external interconnection
- configurable schedule (light levels and hold times)
- configuration with DALI-Cockpit software
- multiple DALI SI and DALI CS modules can be installed on the same DALI-line and be used to control the same target range
- device is supplied directly by the DALI-line
- the compact device is suitable for back box installation

## Specification, Characteristics

type	DALI SI	DALI SI 1L
article number	89453850	89453850-1L
<b>electrical data:</b>		
supply	via DALI-line	
typ. current consumption	2.9mA	
output	DALI	
control input	1 switching input for potential free contact	1 switching input for mains
galvanic isolation switching input/DALI	No	Yes
<b>technical data:</b>		
behaviour on input action	schedule, level and hold times configurable	
storing and transportation temperature	-20°C...+75°C	
operational ambient temperature	-20°C...+75°C	
connecting wire cross section	< 1.5 mm <sup>2</sup>	
max. length of connecting wire	50 cm	up to 50m
protection class	IP20	
dimensions	40mm x 28mm x 14mm	59mm x 33mm x 15mm
mounting	back box	

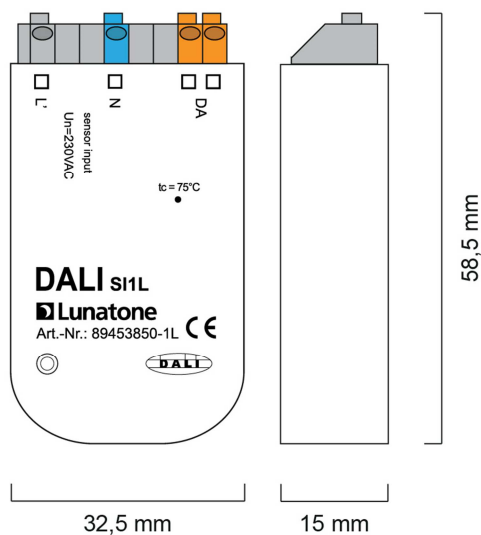
Dimensions&Connection:



dimensions DALI SI



connection plan DALI SI

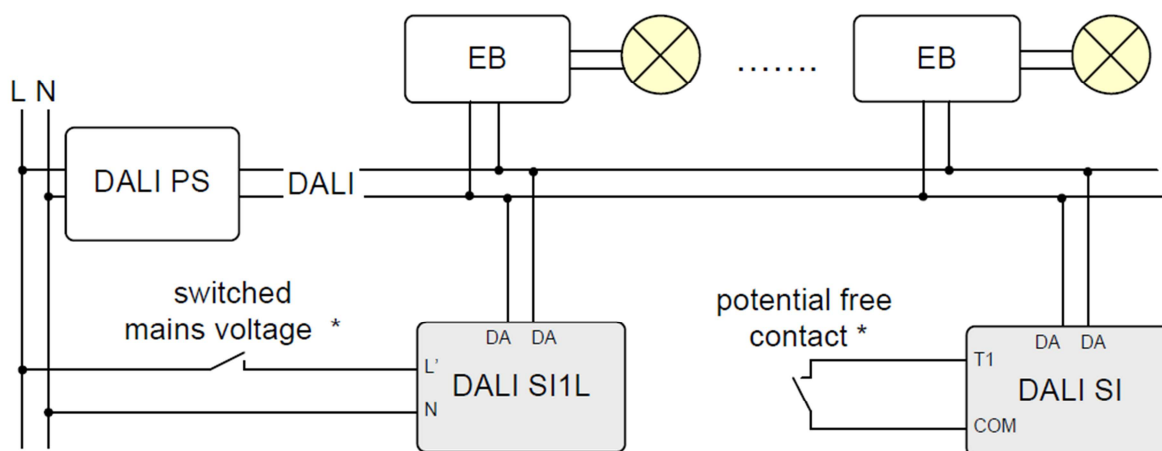


dimensions DALI SI 1L



connection plan DALI SI 1L

typical structure



\* typical devices with switching contact: light barrier, motion sensor, relay, switch

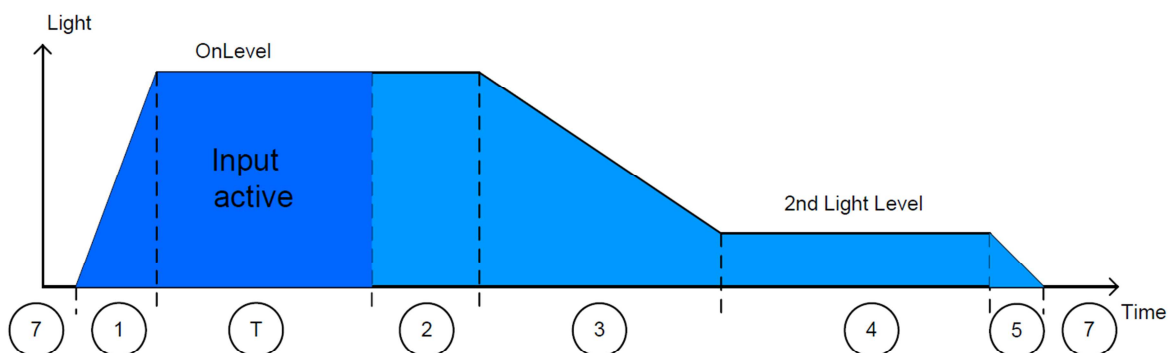
## Installation

- the DALI SI is supplied directly by the DALI-line (typ. current consumption: 2.9mA)
- the connection to the DALI-line is polarity-free
- the connection to the DALI-line is protected against overvoltage
- suitable for back box installation
- type dependent: input for potential free contact (DALI SI) or switching input for mains voltage (DALI SI1L)

## Funktion

- configuration with DALI-Cockpit software
- configurable schedule (light level, hold time, fading)
- The schedule is (re-)triggered by actions on the sensor input
- the target range can be controlled by multiple DALI SI and DALI CS modules (devices are synchronized automatically)

*schedule settings:*



- 1: On Fade Time
- 2: Run on Delay (OnLevel)
- 3: 2nd Level Fade Time
- 4: Switch Off Delay (2nd Lightlevel)
- 5: Fade Out Time
- 6: Dead Time Delay (WalkOutTime after Manual Off)
- 7: Off-State
- T: Input active (OnLevel)



**Hint:** Identical commands will be sent to all destination addresses.

## Purchase Order Information

**Art.Nr. 89453850:** DALI SI, sensor interface with potential free switching input, back box

**Art.Nr. 89453850-1L:** DALI SI 1L, sensor interface with switching input for mains voltage, galvanic isolation, back box

## Additional Information and Equipment

DALI-Cockpit – free configuration tool from Lunatone for DALI systems  
<http://lunatone.at/en/downloads/Lunatone-DALI-Cockpit.zip>

Lunatone DALI products  
<http://www.lunatone.at/en/>

Lunatone datasheets and manuals  
<http://lunatone.at/en/downloads/>

## Contact

Technical Support: [support@lunatone.com](mailto:support@lunatone.com)

Requests: [sales@lunatone.com](mailto:sales@lunatone.com)

[www.lunatone.com](http://www.lunatone.com)

## Disclaimer

Subject to change. Information provided without guarantee.  
The datasheet refers to the current delivery.

The compatibility with other devices must be tested in advance to the installation.