



# DALI LED Power Supply 3W

## Datasheet Control Gear



LED Power Supply with DALI  
control input (DT6)

constant current:  
 Art.Nr. 89453762-350 (CC, 350mA)  
 Art.Nr. 89453762-500 (CC, 500mA)  
 Art.Nr. 89453762-700 (CC, 700mA)  
 100mA - 300mA on request



# DALI LED Power Supply Control Gear

## Overview

- 1 channel LED Power Supply
- different types for constant current: 350mA, 500mA, 700mA
- control via DALI-address (DT6)
- dimming range from 0.1%-100% (CC)
- pwm-frequency adjustable (122Hz/244Hz/488Hz/976Hz)
- suitable for integration in luminaires and installation boxes
- supply voltage 230V AC
- low standby power consumption
- high efficiency
- configuration with DALI-Cockpit software tool and DALI USB interface
- overtemperature shutdown, integrated short circuit protection (CC)
- user-friendly factory default settings

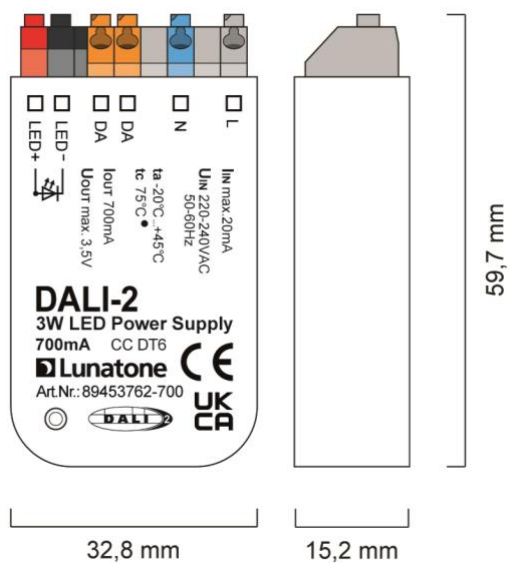


## Specification, Characteristics

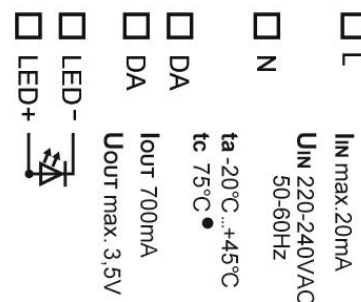
type	DALI LED Power Supply CC DT6		
article number	89453762-350	89453762-500	89453762-700

electrical data:			
supply	220-240V AC / 50-60Hz, $i_{in}=0.02A$ , power factor > 0.95; inrush current < 0.1A		
control input	DALI		
current consumption DALI	2mA		
number of DALI addresses	1		
output current	350mA	500mA	700mA
range of output voltage	max9V	max6,5V	max3,5V
galvanic isolation	SELV		

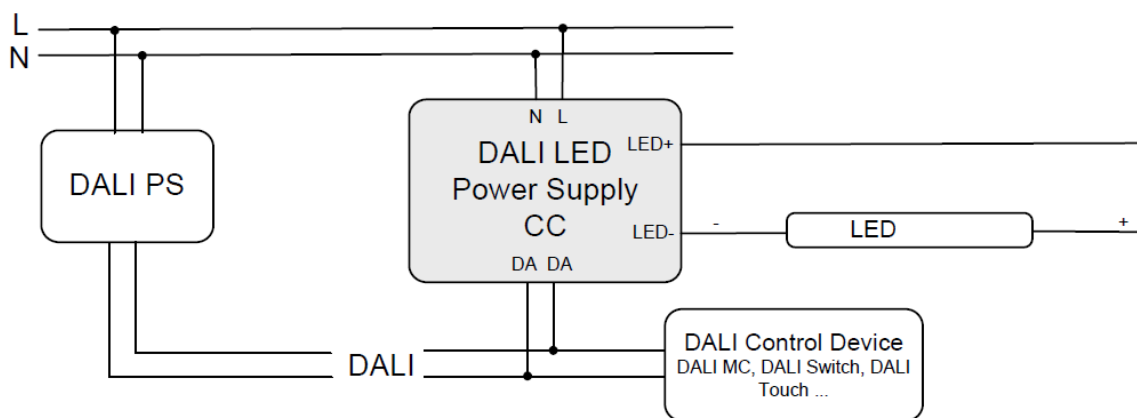
technical data:	
power on behaviour	configurable via DALI: 0%-100% or last value
ambient temperature	-20°C to +45°C
expected lifetime (at $t_c \leq 65^\circ C$ )	>50000h
protection class	IP20
max. connecting wire cross section	1.5 mm <sup>2</sup>
dimensions (LxWxH)	59x33x15mm
mounting/housing	installation box / integration in luminaires



dimensions  
DALI LED Power Supply CC DT6 89453762-700



connection plan  
DALI LED Power Supply CC DT6 89453762-700



DALI application

## DALI

In this operating mode the light level of the device is controlled via its DALI address (Device Type 6).

## Factory Default Settings

Before the initial addressing is performed, the device can already be controlled by group address G0. This predefined grouping will be deleted during the first addressing procedure. Afterwards groups can be assigned as usual (e.g. with the help of the DALI Cockpit).

Summary of the factory default settings (delivery state):

Min Level	0.1%
PowerOn Level	MASK (last value)
Fade Time	2 (1s)
Fade Rate	CC: 5 (89.4 steps/s) CV: 5 (63.3 steps/s)
PWM-frequency	CC: auto
Group control before initial addressing	G0

## Purchase Information

**Art. Nr. 89453762-350:** DALI 3W LED Power Supply, constant current (CC), 350mA, Uout=3V-9V, for installation boxes & integration in luminaires

**Art. Nr. 89453762-500:** DALI 3W LED Power Supply, constant current (CC), 500mA, Uout=3V-6,5V, for installation boxes & integration in luminaires

**Art. Nr. 89453762-700:** DALI 3W LED Power Supply, constant current (CC), 700mA, Uout=3V-3,5V for installation boxes & integration in luminaires

## Additional Information and Equipment

DALI-Cockpit – free configuration tool from Lunatone for DALI systems

<https://www.lunatone.com/en/product/dali-cockpit/>

Lunatone DALI products

<https://www.lunatone.com/en/>

Lunatone datasheets and manuals

<https://www.lunatone.com/en/downloads-az/>

## Contact

Technical Support: [support@lunatone.com](mailto:support@lunatone.com)

Requests: [sales@lunatone.com](mailto:sales@lunatone.com)

[www.lunatone.com](http://www.lunatone.com)



## Disclaimer

Subject to change. Information provided without guarantee. The datasheet refers to the current delivery.

The compatibility with other devices must be tested in advance to the installation.